



Information for Notice to Mariners

Overview of activity

This notice is to inform that Loch Duart Ltd (LDL) aim to deploy one Acoustic Doppler Current Profiler (ADCP) in the Sound of Harris, approximately 135 m off the east coast of Flodday, at 40m depth, for the period of 3 months.

Weather dependant, deployment of the sensor and associated buoys and mooring system is targeted for 24th July 2024 and retrieval of equipment around the end of October 2024/start November 2024.

Location

The location of the equipment deployment and co-ordinates are shown in Figure 1 and Table 1.

Figure 1 Equipment location (shown by red points)

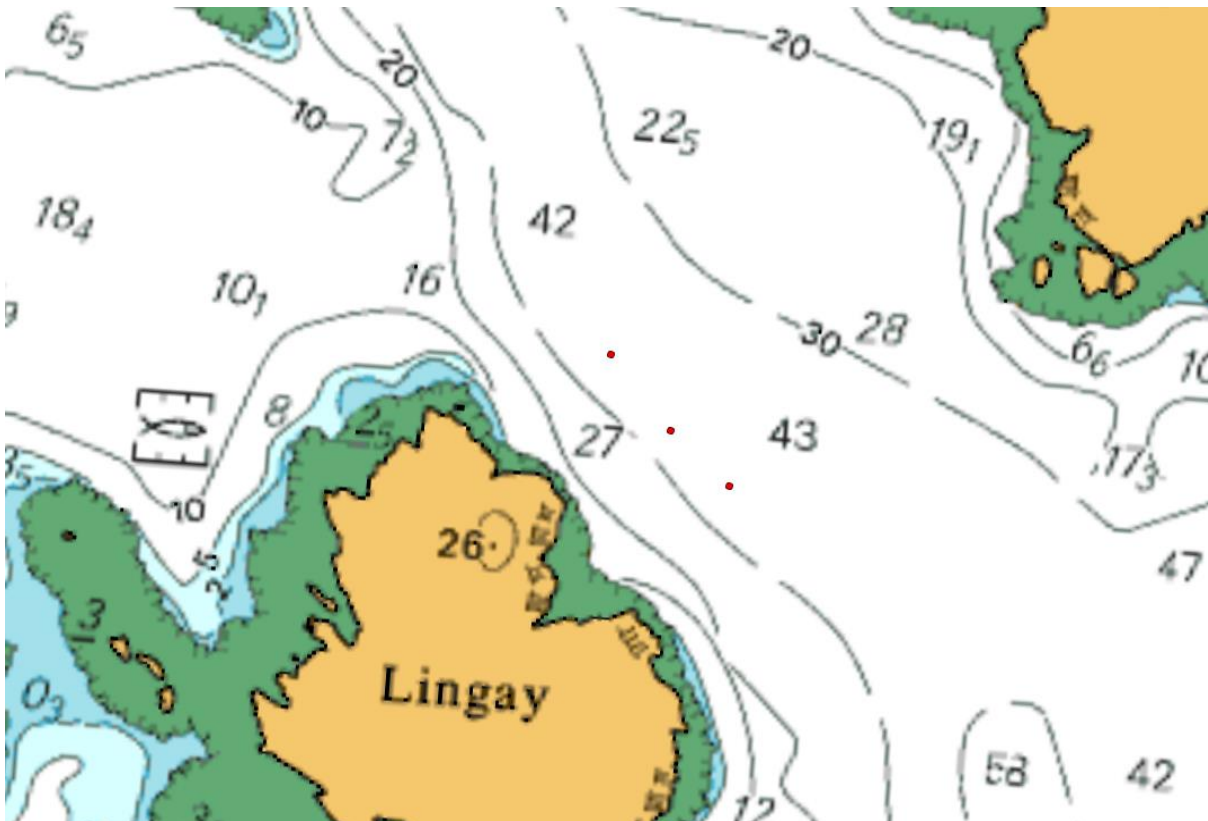


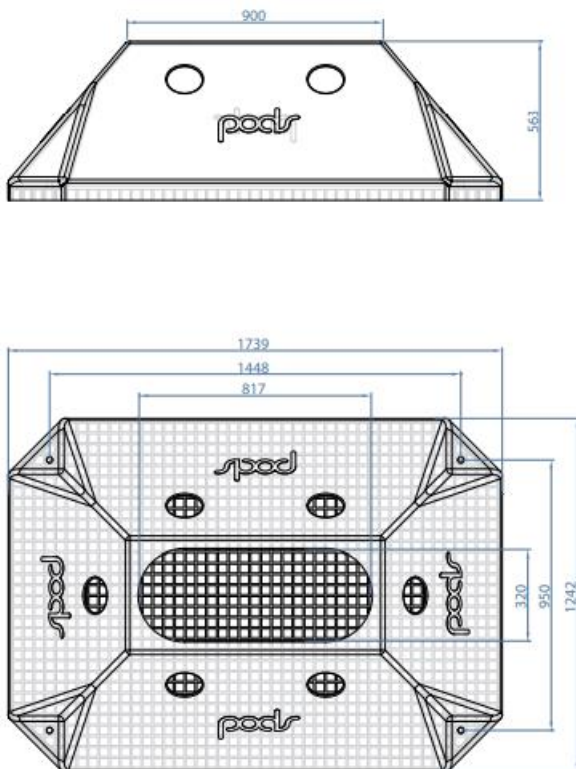
Table 1 Equipment location

Equipment	Easting	Northing	Latitude	Longitude
Buoy 1	101541.28	879366.0174	57° 42.276' N	007° 0.742' W
ADCP frame	101608.08	879278.2	57° 42.232' N	007° 0.668' W
Buoy 2	101672.84	879215.3067	57° 42.201' N	007° 0.598' W

Equipment

The ADCP sensor is housed in a frame (approx. 1.7m length x 1.2m width x 0.5m height; see Figure 2), which will sit on the seabed at approx. 40m depth. The frame is secured at each end by weighted mooring lines (each approx. 100m long), connected to surface marker buoys.

Figure 2 ADCP frame



Vessel

The equipment will be deployed and retrieved by the vessel Lady Dee:

- MMSI No: 235117488
- Call sign: 2JNY8

Contact details:

Name: Naomi Dempsey

Position: Environment Manager

Company: Loch Duart Ltd

Phone: 07879 949286; Email: environment@lochduart.com