



COMHAIRLE NAN EILEAN SIAR

The Town and Country Planning Scotland Act 1997 – Section 36(1)

Town and Country Planning General Development Procedure Order 2013 Regulation 16

Planning Register - Part 1

Application Details

Reference Number: 24/00220/PPD

Date registered as valid: 05 June 2024

Description of Development: Installation of a 1200mm DIA. dish coupled with a panning arm, on an offset face frame fixed to the rear of the existing 14.5m high telecommunications tower support legs

Address or description of location to which the development relates: Mast, Grean, Isle of Barra

Applicant Name: EE Limited

Applicant Address: 1 Braham Street, London, E1 8EE

Agent name (if applicable): Martin Brown - Telent

Agent address (if applicable): Rutland House, 5 Allen Road, Livingston, EH54 6TQ

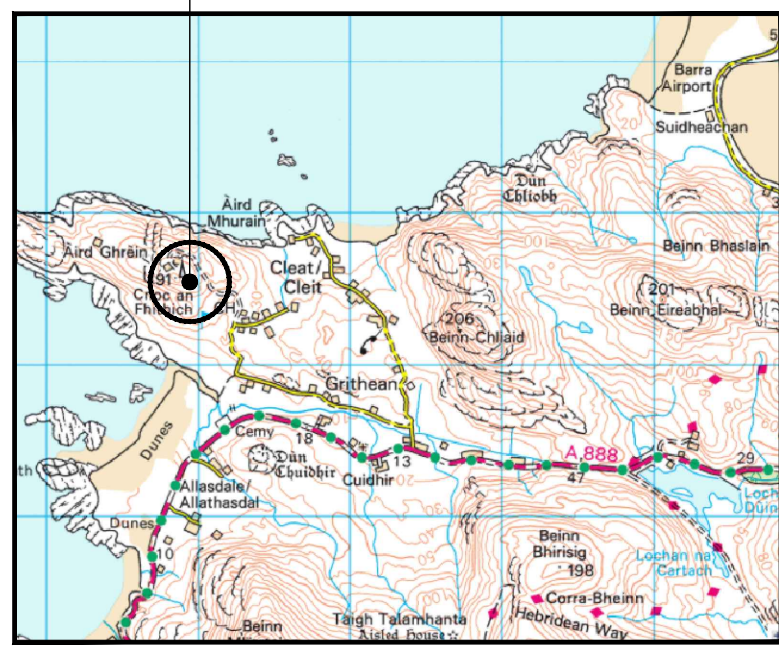
The above application summary is accompanied by plans and drawings sufficient to describe the development and where relevant any design statement.

Important Note: on Tuesday 07 November 2023, Comhairle nan Eilean Siar experienced a criminal cyber incident and is working with Police Scotland, the Scottish Government and the National Cyber Security Centre to investigate the matter.

The Online Planning Portal remains unavailable as does our suite of integrated software and hardware systems. In order to enable access by the wider public to application documents and consult upon planning applications, interim systems have been put in place on the temporary website of Comhairle nan Eilean Siar, including a rudimentary facility to display a limited number of documents per application.

Any party wishing to view the application file in full may do so at the offices of Comhairle nan Eilean Siar at Sandwick Road, Stornoway Isle of Lewis, HS1 2BW or Balivanich, Isle of Benbecula. HS7 5LA, ordinarily between 9am and 5pm Monday to Friday (excluding public and local holidays). It is recommended that in advance of visiting an office to view an application that you make an appointment by sending an email to planning@cne-siar.gov.uk

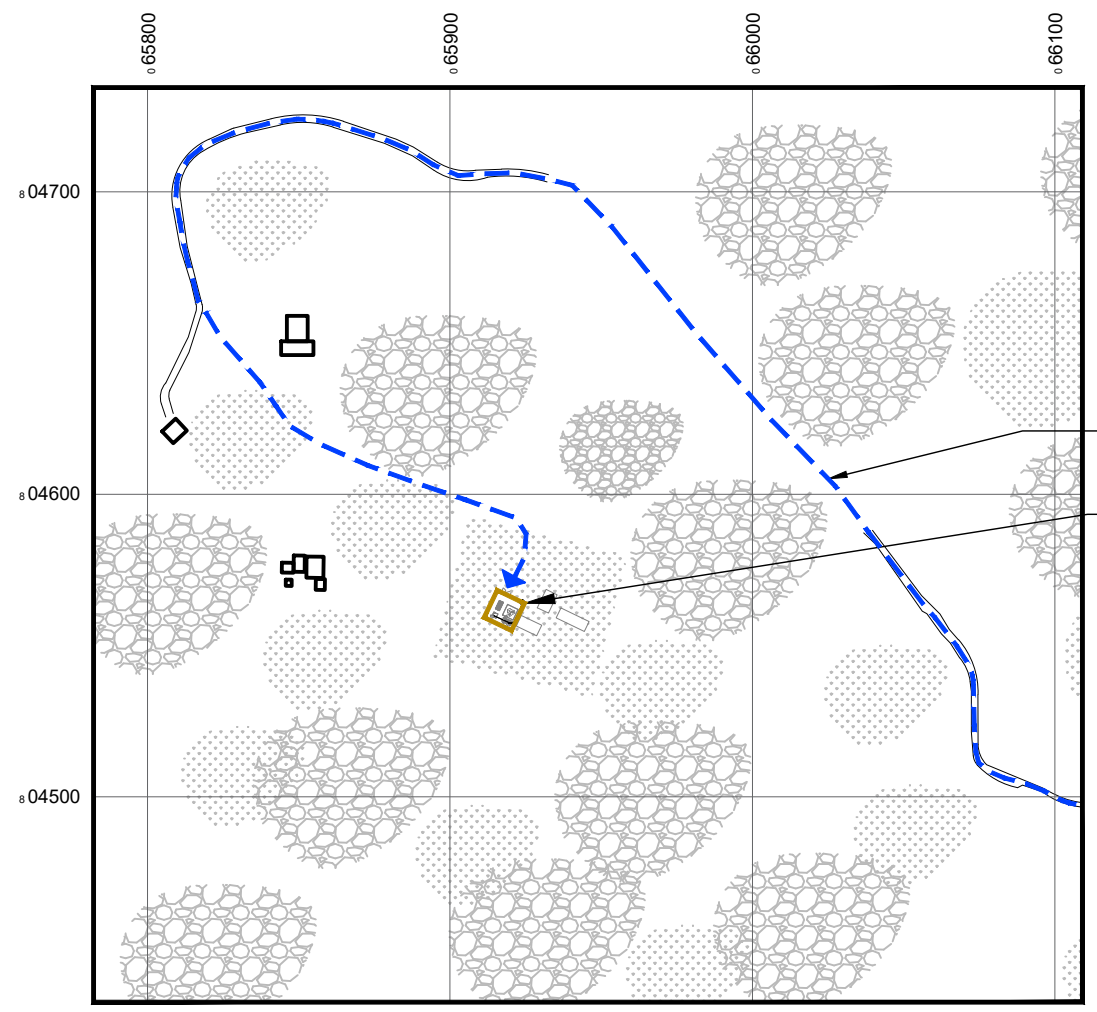
SITE BLOCK PLAN Scale 1:50000
THE SITE (E065920, N804561)



Reproduced by permission of Ordnance Survey on behalf of the Controller of Her Majesty's Stationery Office
All rights reserved. © Crown Copyright licence no. 100022432

SITE AREA PLAN
0 1:50,000 1km 2

LOCATION PLAN Scale 1:1250
THE SITE (E065920, N804561)
ACCESS ROUTE TO SITE



SITE ACCESS ROUTE
PROPOSED SITE LOCATION

Reproduced by permission of Ordnance Survey on behalf of the Controller of Her Majesty's Stationery Office
All rights reserved. © Crown Copyright licence no. 100022432

SITE AREA PLAN
0 1:2500 50m 100

COLOUR CHART (represents proposed work and not the actual colour of EE equipment)

| | |
|--------|--|
| Black | Text and existing buildings, structures, masts trees, EE and other Operators equipment |
| Red | Proposed EE installation |
| Blue | Access route |
| Yellow | Proposed cable routes |
| Brown | Proposed site demise |

SITE ADDRESS
**BARRA-CNOCA AN FHITHICH
LAND AT AIRD GHEIN
ISLE OF BARRA
HS9 5XX**

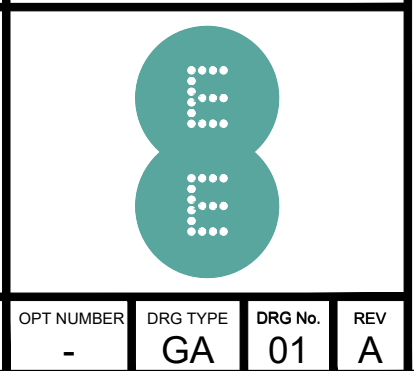


| ICNIRP DETAILS | | |
|---------------------------|------------|-----|
| ACCESS CLASSIFICATION | RESTRICTED | |
| DESIGN CLASSIFICATION | PUBLIC | |
| NOTES: N/A | | |
| E.E.L TRACKING REFERENCES | | |
| N/A | N/A | N/A |

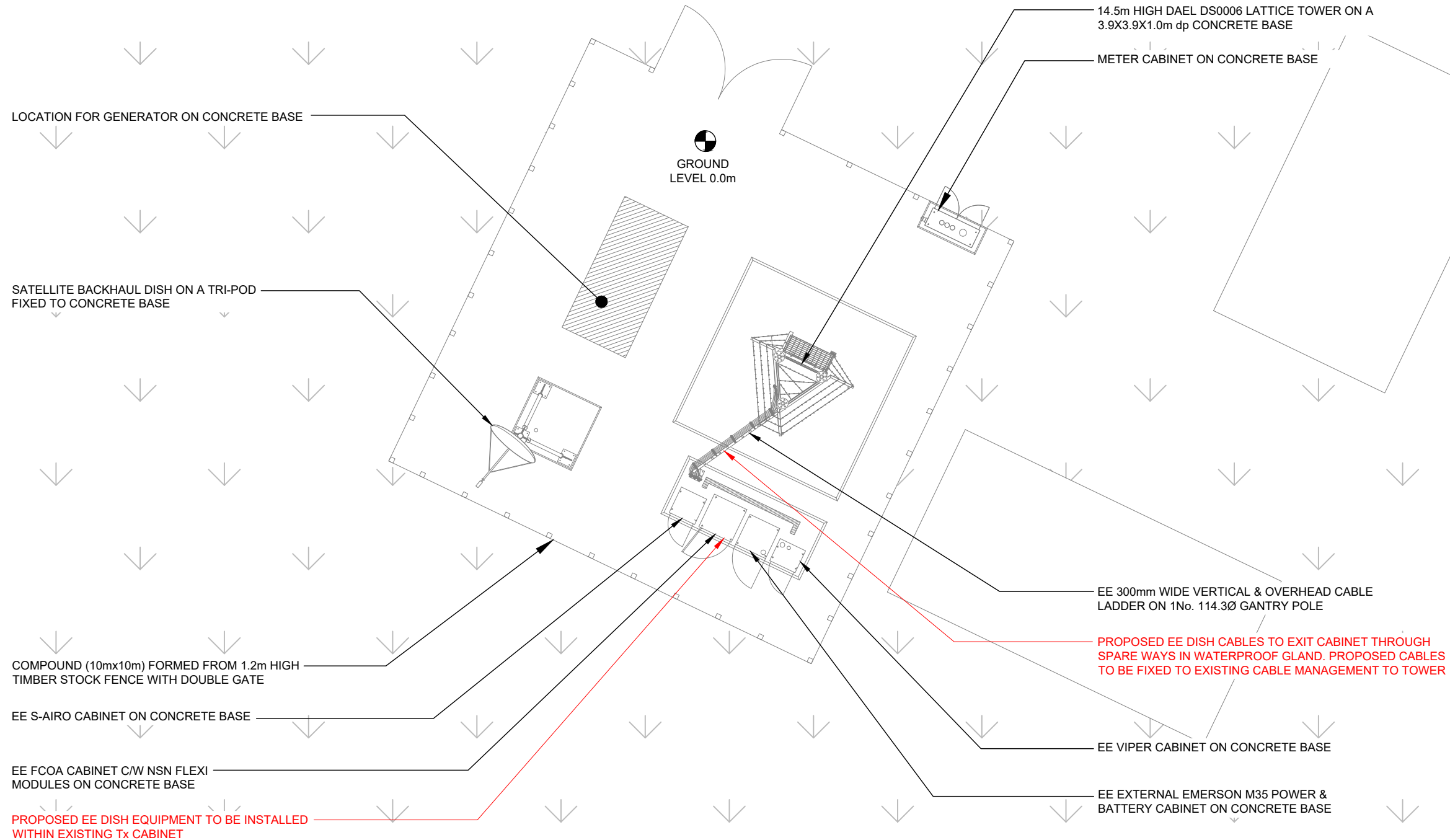
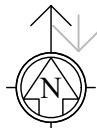
| | | |
|--|-----|----|
| DOES THIS SITE DESIGN CONFORM TO CURRENT EE DOCUMENTS: | YES | NO |
| | N/A | - |
| IF NO DETAIL THE EXCEPTIONS BELOW: | | |
| | | |
| CROWN COPYRIGHT RESERVED. MAPS REPRODUCED WITH THE PERMISSION OF THE CONTROLLER OF HM'S STATIONERY OFFICE. | | |
| © Crown Copyright 2022. All rights reserved Licence number 100022432 | | |
| LOCATION PLAN - Digital Mapping Solutions from Dotted eyes. | | |
| © Crown Copyright 2022. All rights reserved Serial number 100022432 | | |
| SITE BLOCK PLAN - Digital Mapping Solutions from Promap. | | |
| © Crown Copyright 2022. All rights reserved Serial number 100022432 | | |

| | | | |
|--|-------------------------------|--------------------------------|---------------------------------|
| SCALE AS SHOWN WHEN PRINTED AT A3 | DRAWN APS DATE 08.02.24 | CHECKED RN DATE 08.02.24 | APPROVED DP DATE 08.02.24 |
| ALL DIMENSIONS IN mm UNLESS OTHERWISE STATED. THIS DRAWING TO BE READ IN CONJUNCTION WITH OTHER RELEVANT DRAWINGS. | | | |

| | |
|------------------|---|
| TITLE | BARRA-CNOCA AN FHITHICH BT MW LINK |
| TITLE | SITE LOCATION DRAWING |
| THIRD PARTY REF. | - |
| SITE CODE | 93852 |
| OPT NUMBER | - |
| DRG TYPE | GA |
| DRG No. | 01 |
| REV | A |

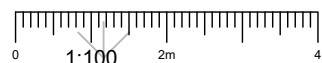


ALL SCALES AS SHOWN WHEN PRINTED AT A3



PROPOSED SITE LAYOUT PLAN

SCALE 1:100



COLOUR CHART (represents proposed work and not the actual colour of EE equipment)

| | |
|--------|--|
| Black | Text and existing buildings, structures, masts trees, EE and other Operators equipment |
| Red | Proposed EE installation |
| Blue | Access route |
| Yellow | Proposed cable routes |
| Brown | Proposed site demise |

SITE ADDRESS
 BARRA-CNOCA AN FHITHICH
 LAND AT AIRD GHEIN
 ISLE OF BARRA
 HS9 5XX



| ICNIRP DETAILS | | |
|-----------------------|------------|--|
| ACCESS CLASSIFICATION | RESTRICTED | |
| DESIGN CLASSIFICATION | PUBLIC | |
| NOTES: N/A | | |

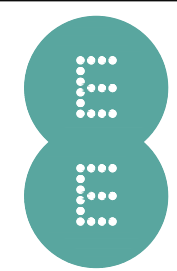
| E.E.L TRACKING REFERENCES | | |
|---------------------------|-----|-----|
| N/A | N/A | N/A |
| | | |
| | | |
| | | |

| | | |
|--|-----|----|
| DOES THIS SITE DESIGN CONFORM TO CURRENT EE DOCUMENTS: | YES | NO |
| IF NO DETAIL THE EXCEPTIONS BELOW: | N/A | - |

CROWN COPYRIGHT RESERVED. MAPS REPRODUCED WITH THE PERMISSION OF THE CONTROLLER OF HM'S STATIONERY OFFICE.
 LOCATION PLAN - Digital Mapping Solutions from Dotted eyes. © Crown Copyright 2022. All rights reserved Licence number 100022432
 SITE BLOCK PLAN - Digital Mapping Solutions from Promap. © Crown Copyright 2022. All rights reserved Serial number 100022432

| | | | |
|--|-------------------------------|--------------------------------|---------------------------------|
| SCALE AS SHOWN WHEN PRINTED AT A3 | DRAWN APS DATE 08.02.24 | CHECKED RN DATE 08.02.24 | APPROVED DP DATE 08.02.24 |
| ALL DIMENSIONS IN mm UNLESS OTHERWISE STATED. THIS DRAWING TO BE READ IN CONJUNCTION WITH OTHER RELEVANT DRAWINGS. | FIRST ISSUE A REV | | |

| |
|--|
| TITLE BARRA-CNOCA AN FHITHICH BT MW LINK PROPOSED SITE LAYOUT PLAN |
| THIRD PARTY REF. - |
| SITE CODE 93852 |
| OPT NUMBER - |
| DRG TYPE GA |
| DRG No. 02 |
| REV A |

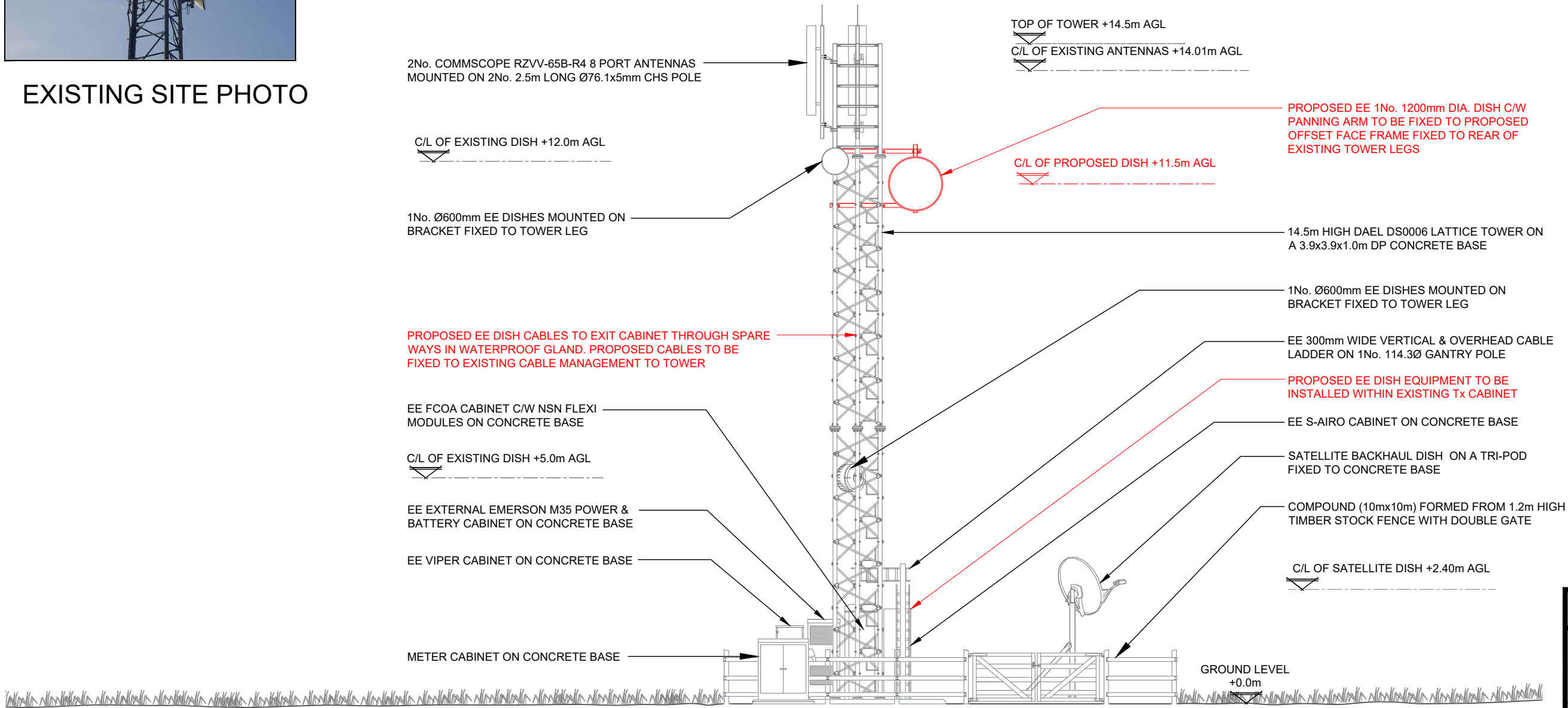


ALL SCALES AS SHOWN WHEN PRINTED AT A3



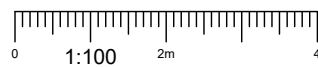
EXISTING SITE PHOTO

NOTE: STRUCTURAL CHECK (GDC) TO BE COMPLETED PRIOR TO COMMENCEMENT OF WORKS



PROPOSED NORTH EAST ELEVATION

SCALE 1:100



COLOUR CHART (represents proposed work and not the actual colour of EE equipment)

| | |
|--------|--|
| Black | Text and existing buildings, structures, masts trees, EE and other Operators equipment |
| Red | Proposed EE installation |
| Blue | Access route |
| Yellow | Proposed cable routes |
| Brown | Proposed site demise |

SITE ADDRESS
BARRA-CNOCA AN FHITHICH
LAND AT AIRD GHEIN
ISLE OF BARRA
HS9 5XX



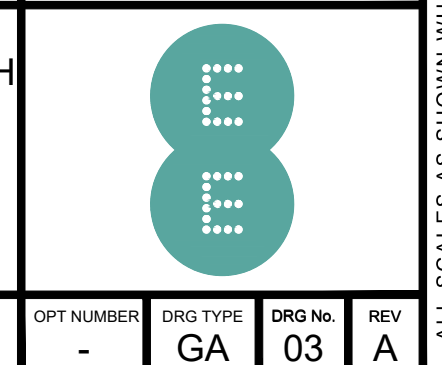
| ICNIRP DETAILS | | |
|-----------------------|------------|--|
| ACCESS CLASSIFICATION | RESTRICTED | |
| DESIGN CLASSIFICATION | PUBLIC | |
| NOTES: N/A | | |

| E.E.L TRACKING REFERENCES | | |
|---------------------------|-----|-----|
| N/A | N/A | N/A |
| | | |
| | | |
| | | |

| | | |
|---|-----|----|
| DOES THIS SITE DESIGN CONFORM TO CURRENT EE DOCUMENTS: | YES | NO |
| IF NO DETAIL THE EXCEPTIONS BELOW: | N/A | - |
| CROWN COPYRIGHT RESERVED. MAPS REPRODUCED WITH THE PERMISSION OF THE CONTROLLER OF HM'S STATIONERY OFFICE. © Crown Copyright 2022. All rights reserved Licence number 100022432 | | |
| LOCATION PLAN - Digital Mapping Solutions from Dotted eyes. | | |
| SITE BLOCK PLAN - Digital Mapping Solutions from Promap. © Crown Copyright 2022. All rights reserved Serial number 100022432 | | |

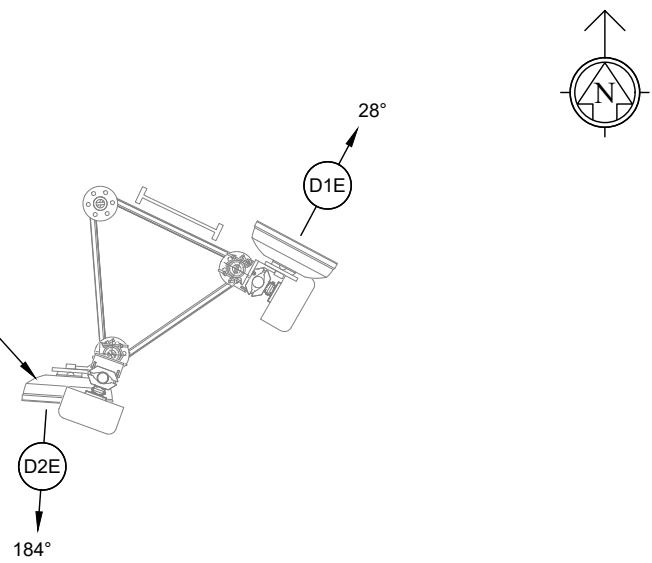
| | | | | | | |
|--|---------------|---------------|---------------|---------------|---------------|---------------|
| SCALE AS SHOWN WHEN PRINTED AT A3 | DRAWN | APS | CHECKED | RN | APPROVED | DP |
| DATE 08.02.24 | DATE 08.02.24 | DATE 08.02.24 | DATE 08.02.24 | DATE 08.02.24 | DATE 08.02.24 | DATE 08.02.24 |
| ALL DIMENSIONS IN mm UNLESS OTHERWISE STATED. THIS DRAWING TO BE READ IN CONJUNCTION WITH OTHER RELEVANT DRAWINGS. | | | | | | |

| | |
|--------------------|---------------------------------------|
| TITLE | BARRA-CNOCA AN FHITHICH BT MW LINK |
| PROPOSED ELEVATION | |
| THIRD PARTY REF. | - |
| SITE CODE | 93852 |
| OPT NUMBER | - |
| DRG TYPE | GA |
| DRG No. | 03 |
| REV | A |



ALL SCALES AS SHOWN WHEN PRINTED AT A3

2No. Ø600mm EE DISHES MOUNTED ON BRACKET FIXED TO TOWER LEG

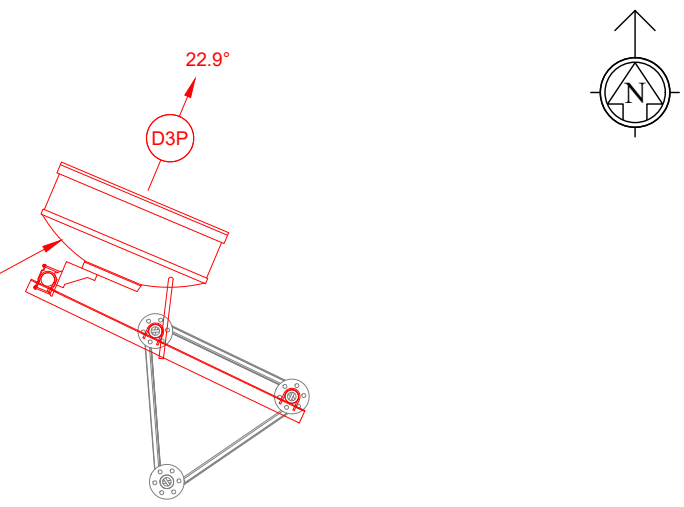


EXISTING DISH PLAN @ 12.0m AGL

SCALE 1:50

| Existing Transmission Dish Schedule | | | | | | | | |
|-------------------------------------|---------------|-------------|-----------------------|------------------|-----------------|-----------|---------------------------------|--|
| Equipment ID | Supply Status | Size Ø (mm) | Colour (RAL) (Colour) | Height (C/L) AGL | Bearing (°) EGN | Link Ref: | Relocation height (if required) | Comments (capture lift and shift requirements) |
| D1E | EXISTING | Ø600 | - | 12.0m | 28° | - | - | FIXED TO EXISTING SUPPORT POLE |
| D2E | EXISTING | Ø600 | - | 5.0m | 184° | - | - | FIXED TO EXISTING SUPPORT POLE |

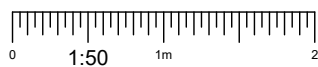
PROPOSED EE 1No. 1200mm DIA. DISH C/W PANNING ARM TO BE FIXED TO PROPOSED OFFSET FACE FRAME FIXED TO REAR OF EXISTING TOWER LEGS



PROPOSED DISH PLAN @ 11.5m AGL

SCALE 1:50

| Proposed Transmission Dish Schedule | | | | | | | | |
|-------------------------------------|---------------|-------------|-----------------------|------------------|-----------------|-----------|---------------------------------|--|
| Equipment ID | Supply Status | Size Ø (mm) | Colour (RAL) (Colour) | Height (C/L) AGL | Bearing (°) EGN | Link Ref: | Relocation height (if required) | Comments (capture lift and shift requirements) |
| D1E | EXISTING | Ø600 | - | 12.0m | 28° | - | - | FIXED TO EXISTING SUPPORT POLE |
| D2E | EXISTING | Ø600 | - | 5.0m | 184° | - | - | FIXED TO EXISTING SUPPORT POLE |
| D3P | PROPOSED | Ø1200 | WHITE | 11.5m | 22.9° | - | - | C/W 1No. ODU & PANNING ARM FIXED TO PROPOSED OFFSET FACE FRAME |



| COLOUR CHART (represents proposed work and not the actual colour of EE equipment) | |
|---|--|
| Black | Text and existing buildings, structures, masts trees, EE and other Operators equipment |
| Red | Proposed EE installation |
| Blue | Access route |
| Yellow | Proposed cable routes |
| Brown | Proposed site demise |

SITE ADDRESS
 BARRA-CNOCA AN FHITHICH
 LAND AT AIRD GHEIN
 ISLE OF BARRA
 HS9 5XX



| ICNIRP DETAILS | |
|-----------------------|------------|
| ACCESS CLASSIFICATION | RESTRICTED |
| DESIGN CLASSIFICATION | PUBLIC |

NOTES: N/A

E.E.L TRACKING REFERENCES

| N/A | N/A | N/A |
|-----|-----|-----|
| | | |
| | | |
| | | |
| | | |

| DOES THIS SITE DESIGN CONFORM TO CURRENT EE DOCUMENTS: | | YES | NO |
|--|--|-----|----|
| | | N/A | - |

IF NO DETAIL THE EXCEPTIONS BELOW:

CROWN COPYRIGHT RESERVED. MAPS REPRODUCED WITH THE PERMISSION OF THE CONTROLLER OF HM'S STATIONERY OFFICE.
 © Crown Copyright 2022. All rights reserved Licence number 100022432
 LOCATION PLAN - Digital Mapping Solutions from Dotted eyes.
 © Crown Copyright 2022. All rights reserved Licence number 100022432
 SITE BLOCK PLAN - Digital Mapping Solutions from Promap.
 © Crown Copyright 2022. All rights reserved Serial number 100022432

| REV | DESCRIPTION | BY | DATE |
|-----|-------------|-----|----------|
| A | FIRST ISSUE | APS | 08.02.24 |

SCALE AS SHOWN WHEN PRINTED AT A3
 ALL DIMENSIONS IN mm UNLESS OTHERWISE STATED. THIS DRAWING TO BE READ IN CONJUNCTION WITH OTHER RELEVANT DRAWINGS.

TITLE
BARRA-CNOCA AN FHITHICH BT MW LINK

PROPOSED DISH PLAN

THIRD PARTY REF. -
 SITE CODE 93852
 OPT NUMBER -
 DRG TYPE GA
 DRG No. 04
 REV A



ALL SCALES AS SHOWN WHEN PRINTED AT A3