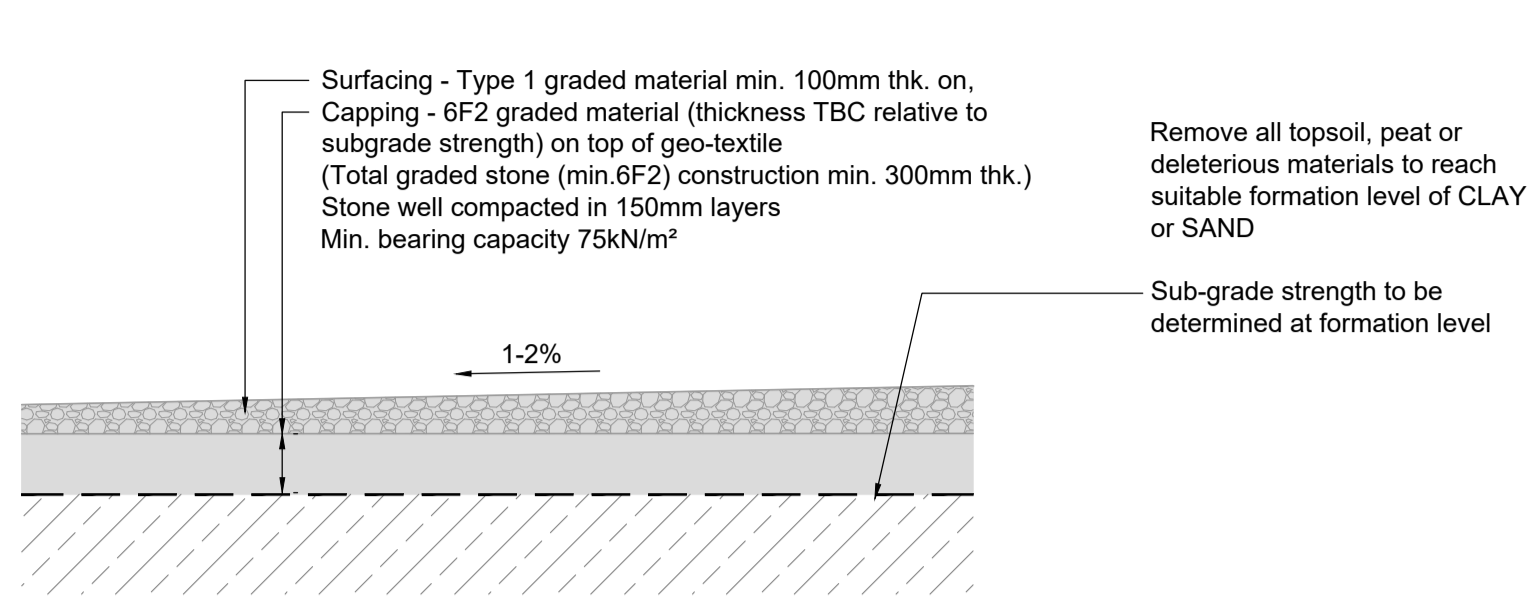
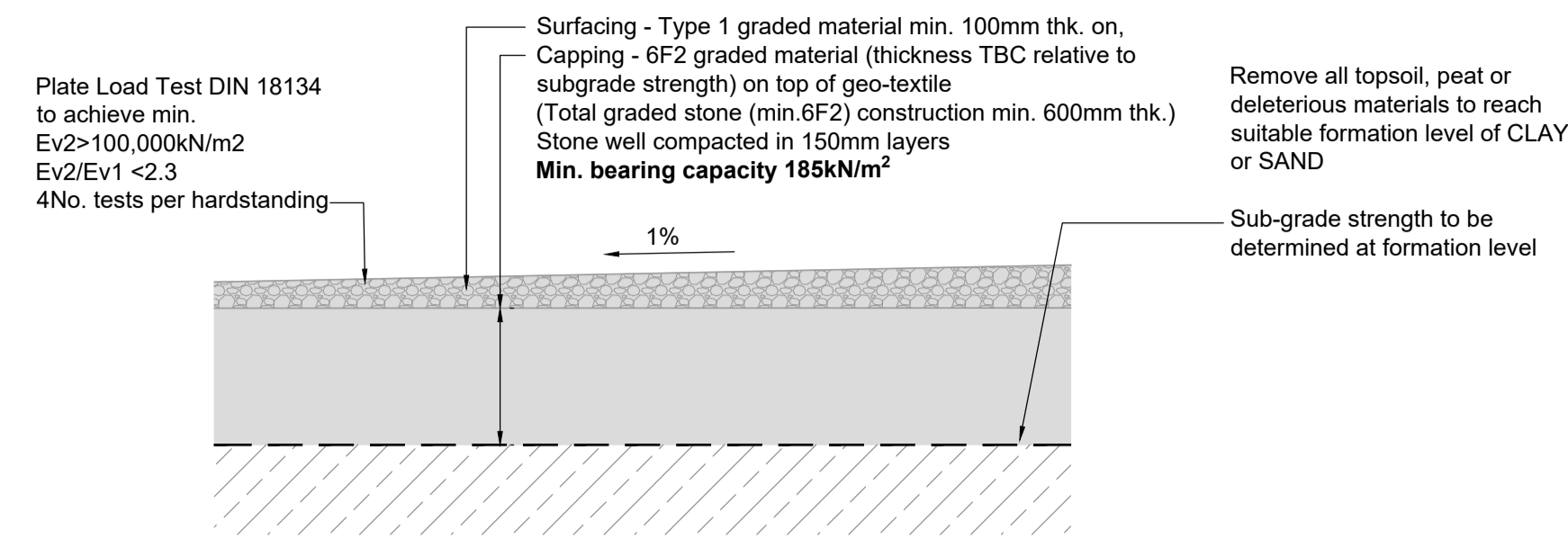


**General Notes:**

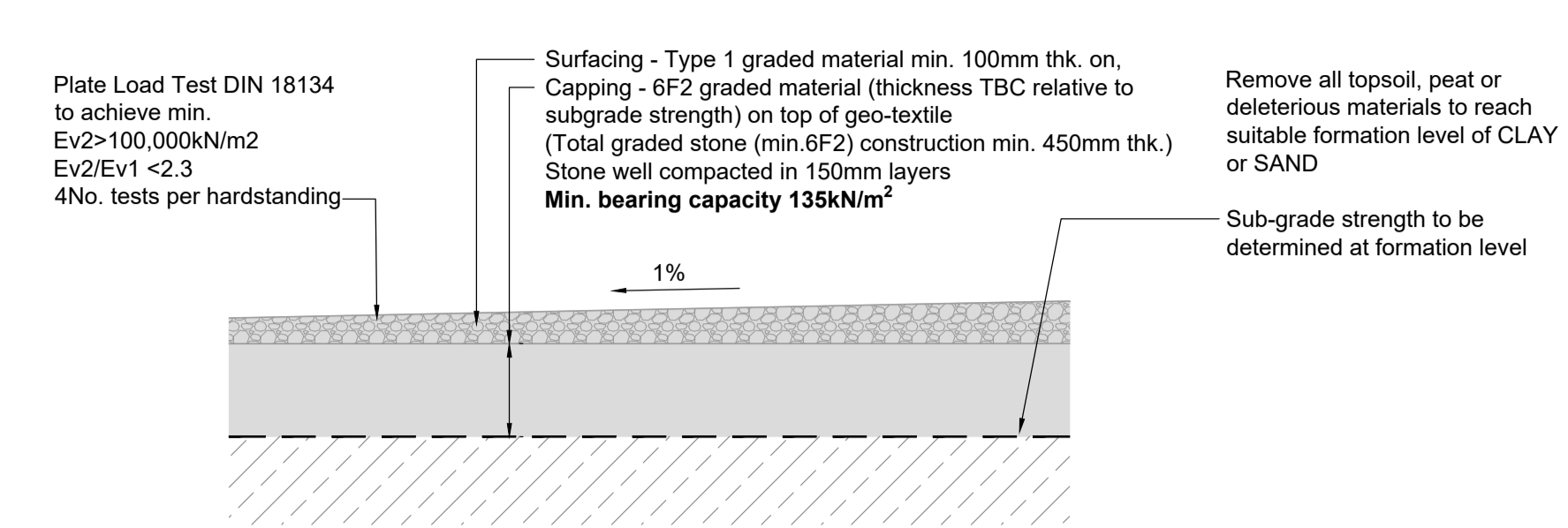
1. The copyright of this drawing is vested in Green Cat Renewables Ltd. and it may not be reproduced in whole or part or used for the manufacture of any article without the express permission of the copyright holders.
2. Work to figured dimensions only.
3. This drawing is to be read in conjunction with all relevant Green Cat Renewables Ltd. drawings and specifications.



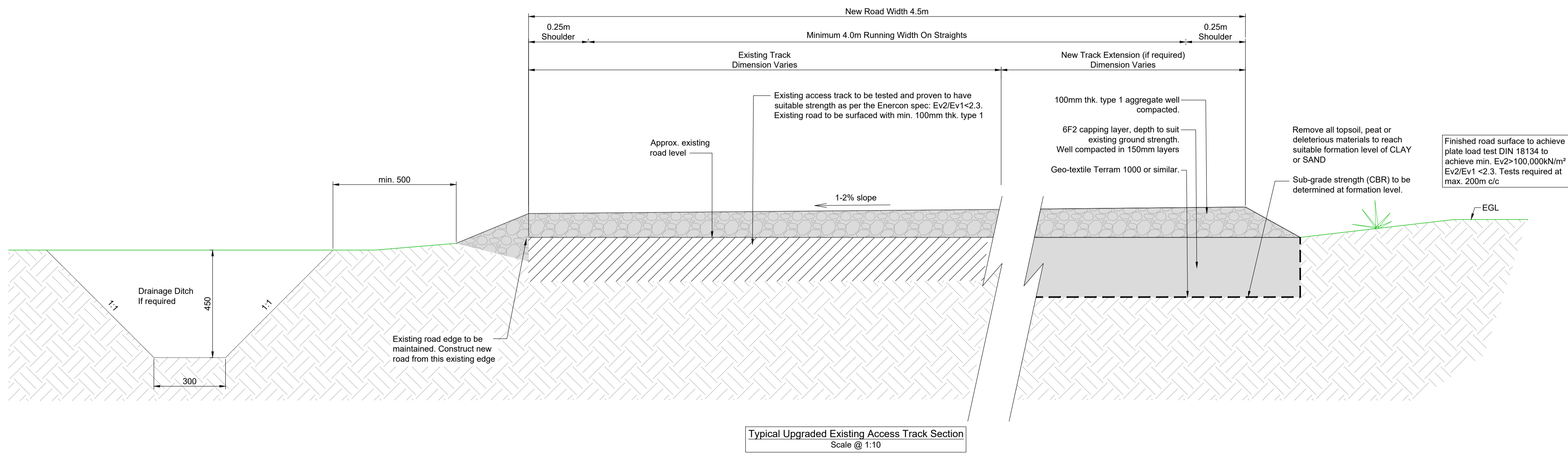
Typical Section  
Construction Compound / Parking Hardstanding  
Scale @ 1:25



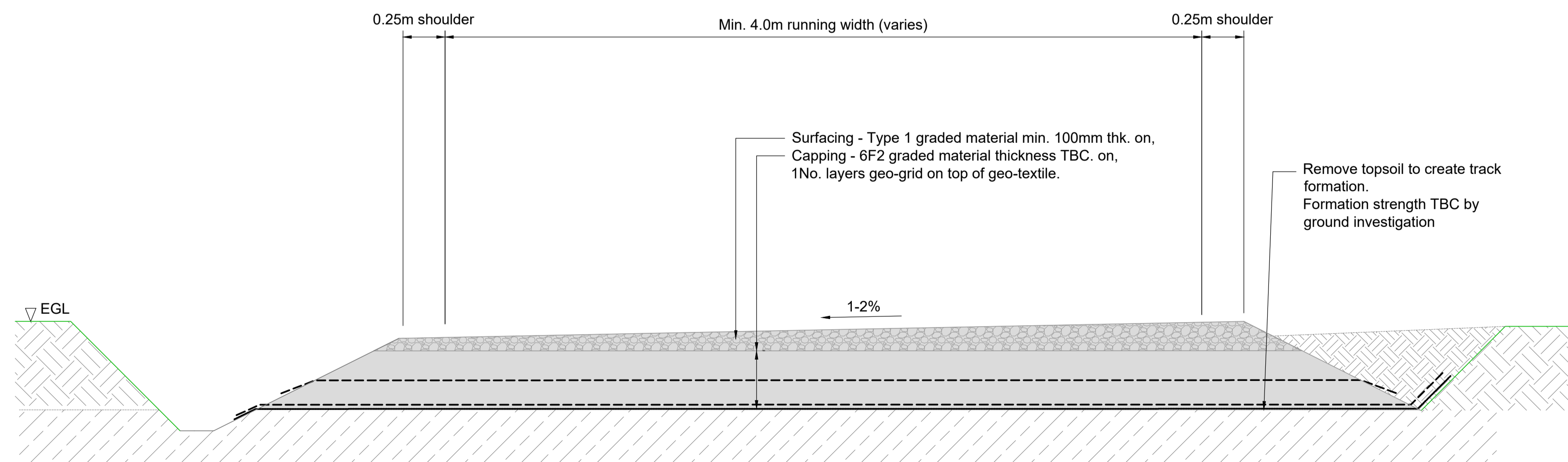
Typical Section  
Crane Platform Hardstanding  
Scale @ 1:25



Typical Section  
Storage / Assembly / Auxiliary Platform Hardstanding  
Scale @ 1:25



Typical Upgraded Existing Access Track Section  
Scale @ 1:10



Founded Access Track Loose Surface  
Scale @ 1:20



Rev	Description	Drm	Chk	App	Date
P01	PLANNING	KM	AF	RC	15.03.24



Green Cat Renewables Ltd  
Stobo House  
ROSLIN  
EH25 9RE  
0131 541 0060  
www.greencatrenewables.co.uk

Client  
Constantine Wind Energy (UK) Ltd



Project Title  
Monan Repower

Drawing Title  
Typical Construction Detail  
Hardstanding & Road Details

Status  
PLANNING

Scale @ size  
Revision  
SHOWN @ A1 P01

Drawing Number  
C5507-GCR-WF-DT-DR-P-0001  
Project Code - Originator - Zone - Level - Type - Role - Number